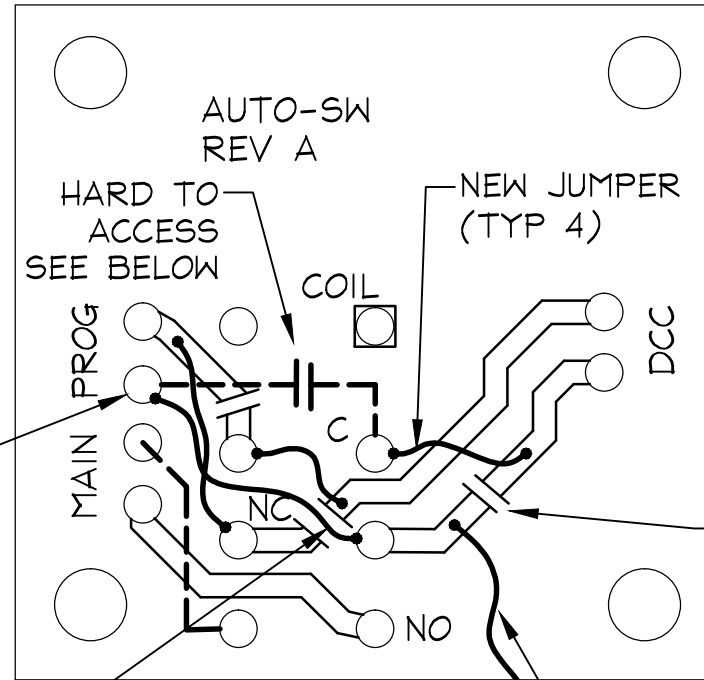
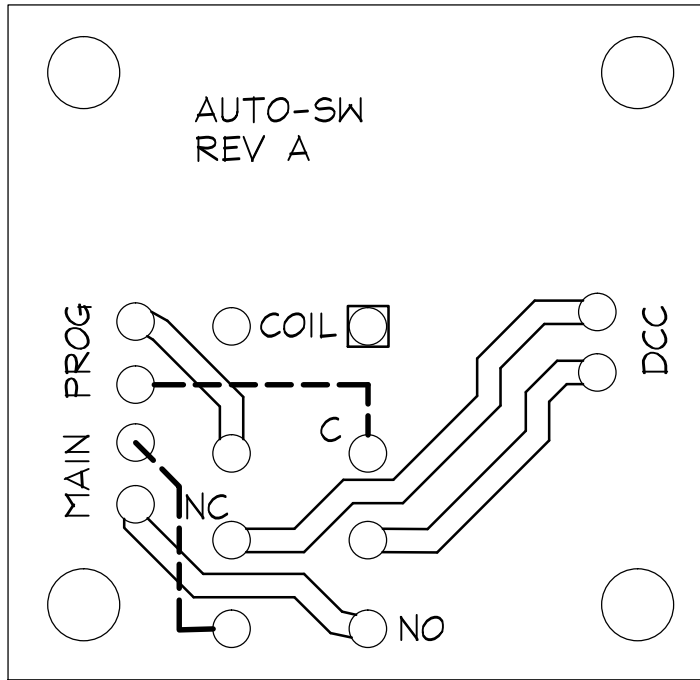


ORIGINAL

MODIFIED TO REVISION B



ABANDONED TERM AND JUMPER PER NOTES

LEAD TO REPLACE ABANDONED PROG TERMINAL

NOTES:

THE HIDDEN TRACE FROM THE C RELAY TERMINAL TO THE LOWER PROGRAM TERMINAL CAN BE HIDDEN FROM VIEW BY THE TERMINAL BLOCK. IN LIEU OF REMOVING THE TERMINAL BLOCK FOR ACCESS, YOU COULD ABANDON THAT TERMINAL, AND INSTEAD OF THE JUMPER, CONNECT A WIRE FROM THE NC TERMINAL WHERE THE JUMPER IS SHOWN AND CONNECT THE OPPOSITE END TO THE WIRE THAT WOULD HAVE GONE TO THE ABANDONED TERMINAL. IT IS NOT WORTH POSSIBLE DAMAGE TO THE BOARD TO SAVE THIS TERMINAL.

05/03/22 8:03:45 AM D:\MY DOCUMENTS\RAILROAD\ELECTRICAL\NCE\AUTO_SW\AUTOSW_VERA_PCB.DWG

REV NOTES, ADD TERM LEADER	SCALE:N/A	PROJECT:MRR	TITLE:NCE AUTOSW CONVERT A 2 B	
	DRAWN:JIM EXLER	LOC:NAMPA	DRG: ASWA2B-2	REVISION
	DATE:10/12/21	JOB NO:823MR	AutoSW VerA PCB.dwg	1